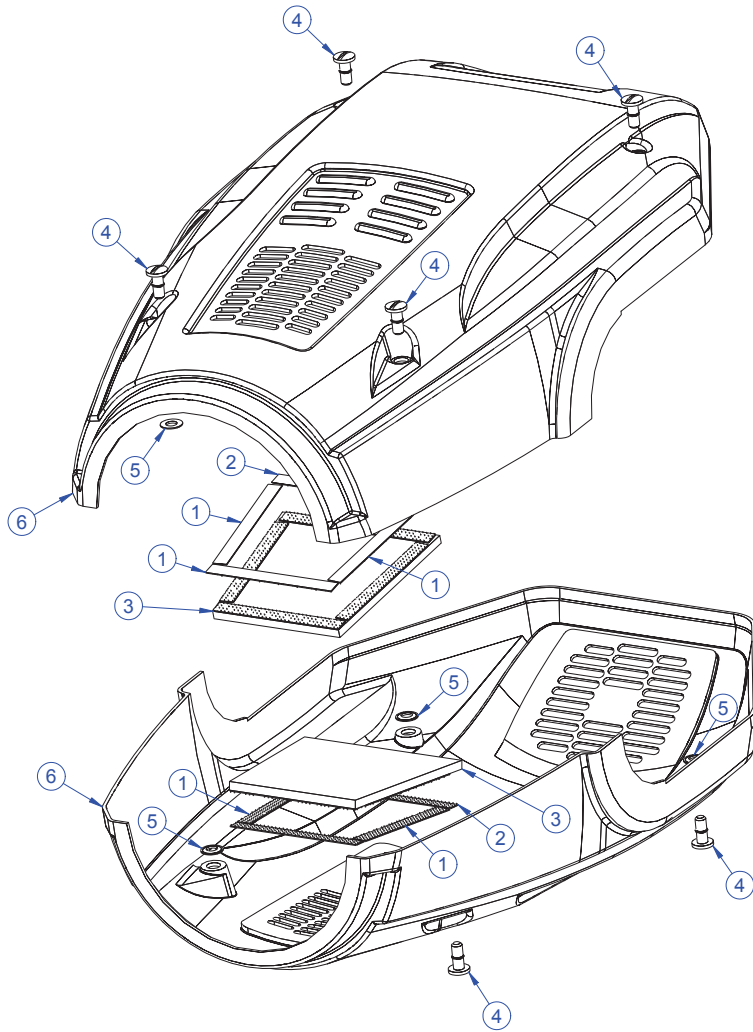
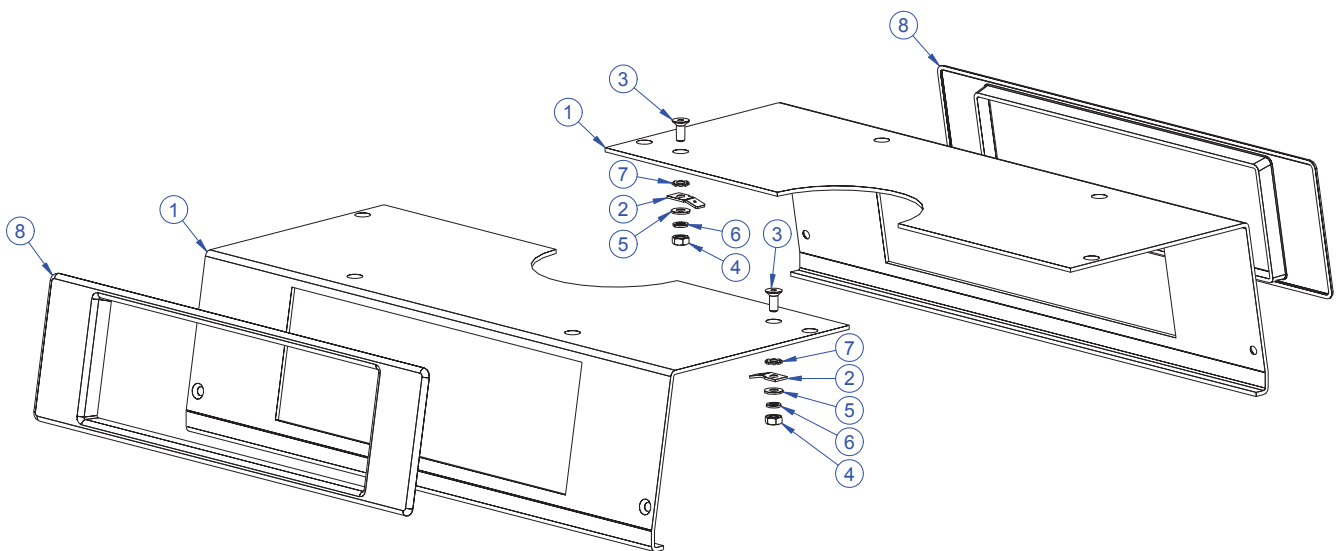


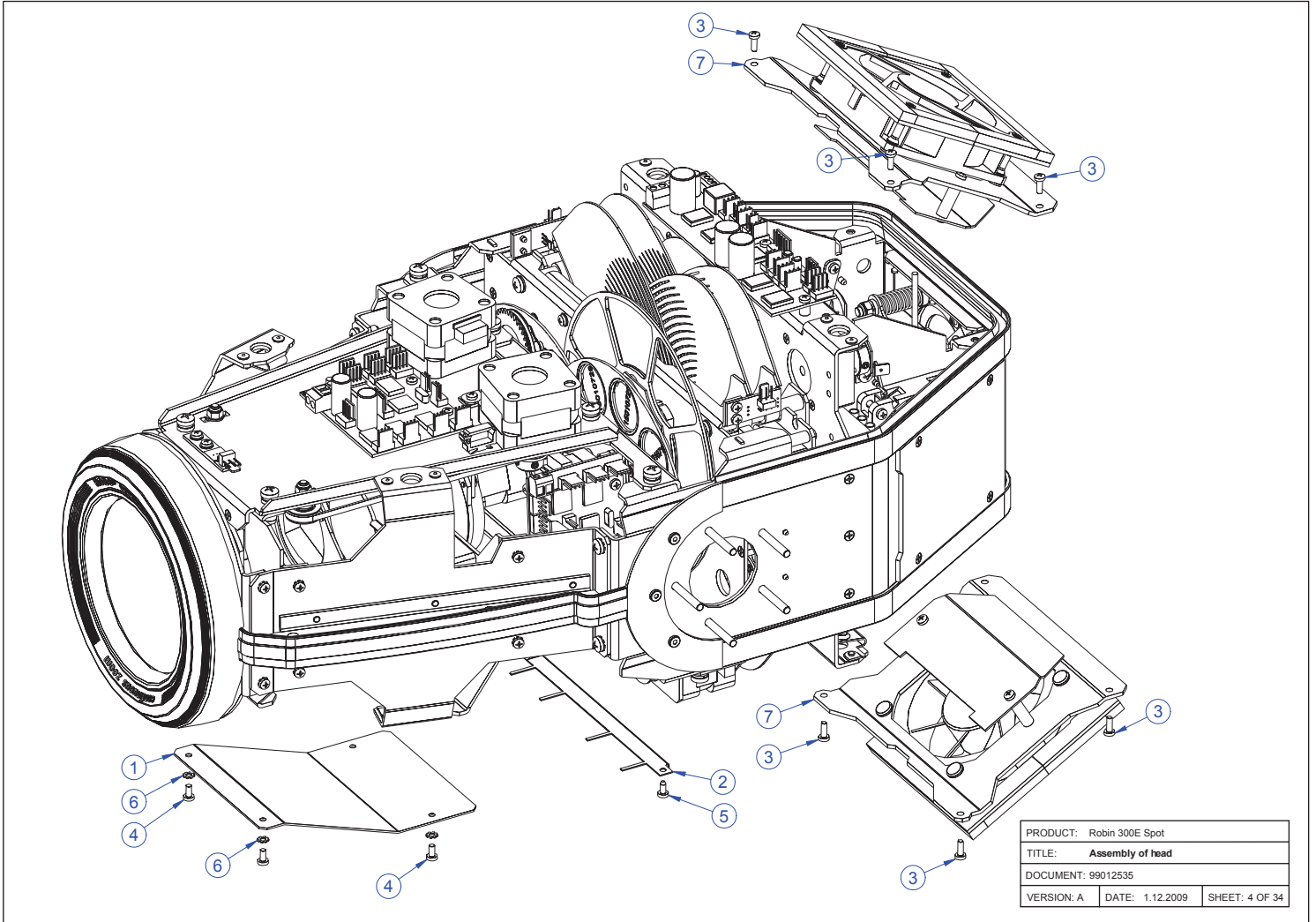
|                          |                 |                |
|--------------------------|-----------------|----------------|
| PRODUCT: Robin 300E Spot |                 |                |
| TITLE: Covers            |                 |                |
| DOCUMENT: 99012571       |                 |                |
| VERSION: A               | DATE: 1.12.2009 | SHEET: 1 OF 34 |



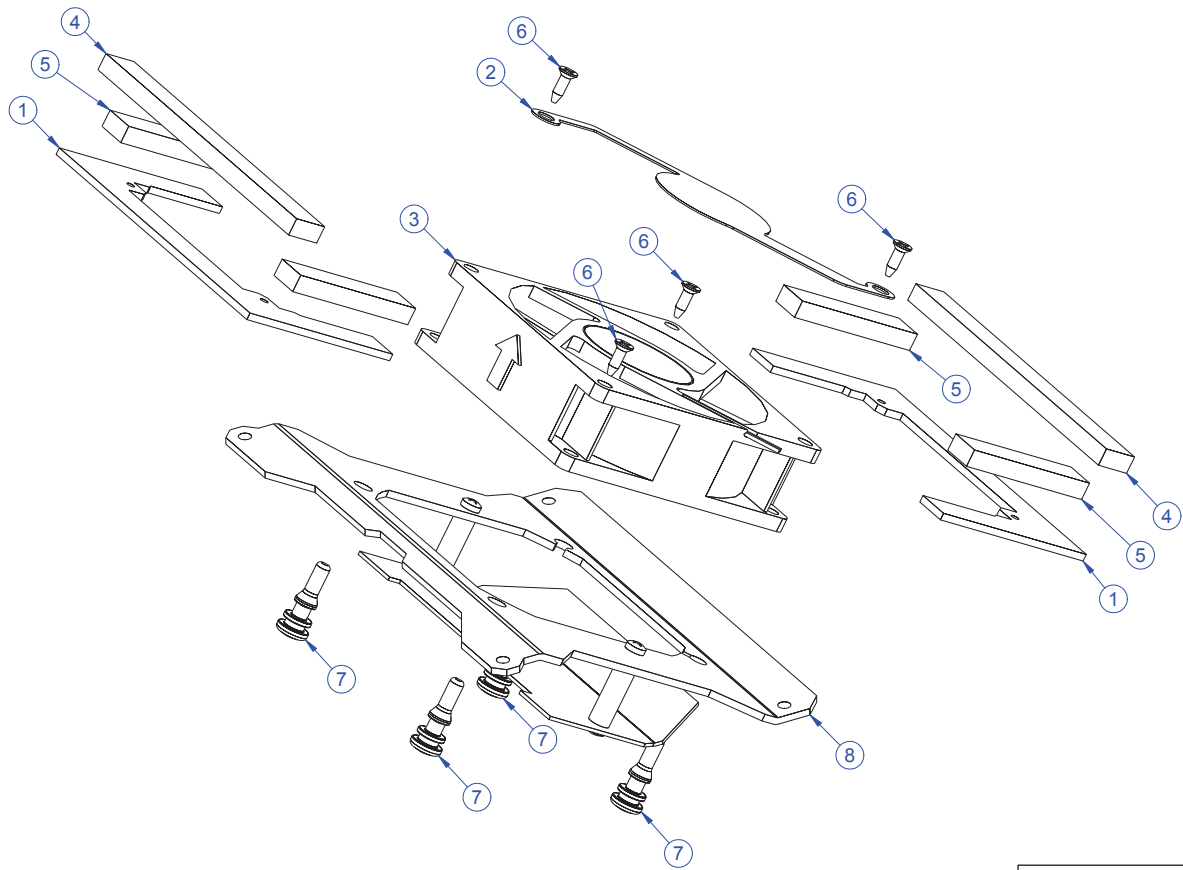
|                          |                 |                |
|--------------------------|-----------------|----------------|
| PRODUCT: Robin 300E Spot |                 |                |
| TITLE: Covers of head    |                 |                |
| DOCUMENT: 99012541       |                 |                |
| VERSION: A               | DATE: 1.12.2009 | SHEET: 2 OF 34 |



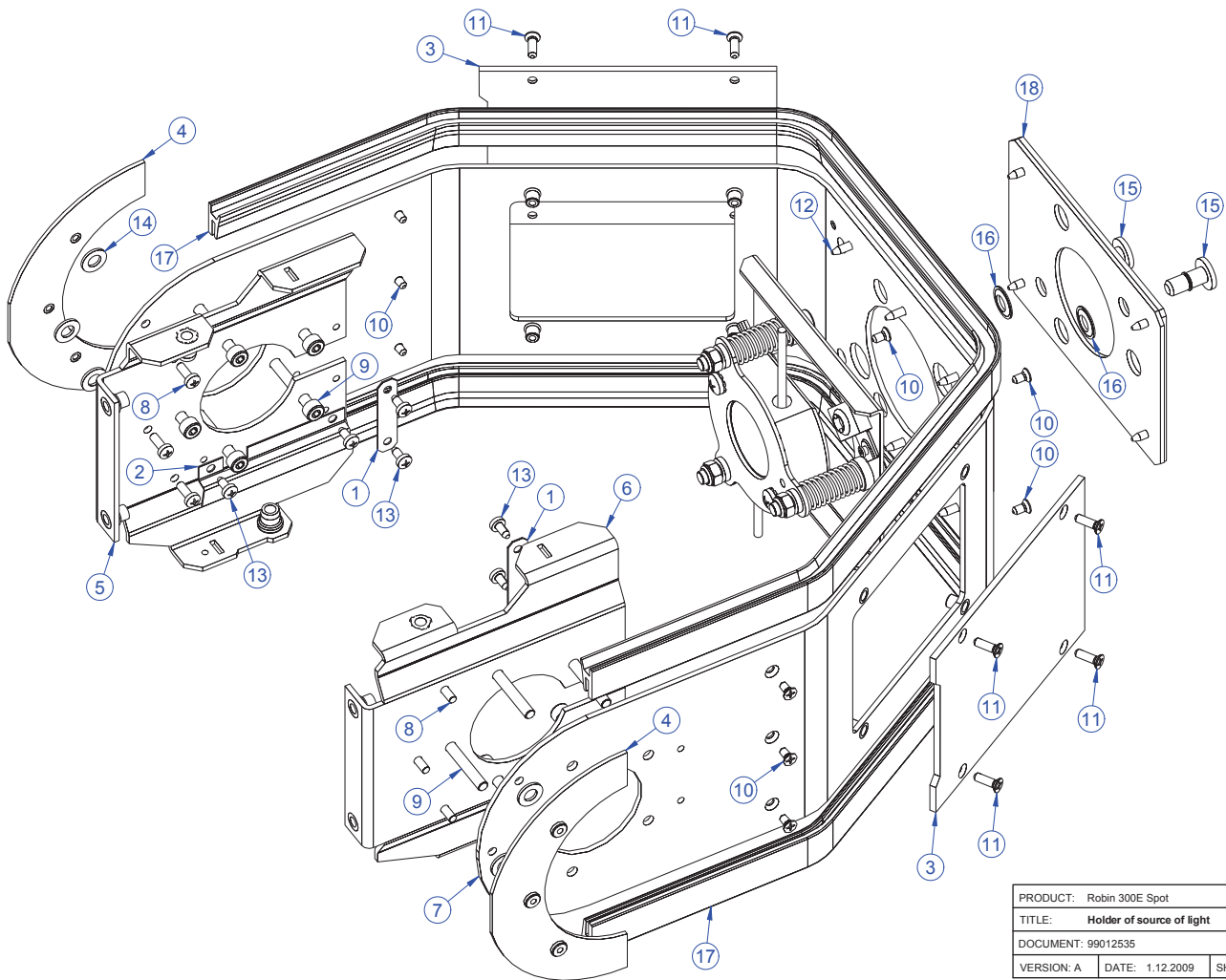
|                          |                 |                |
|--------------------------|-----------------|----------------|
| PRODUCT: Robin 300E Spot |                 |                |
| TITLE: Covers of base    |                 |                |
| DOCUMENT: 99012543       |                 |                |
| VERSION: A               | DATE: 1.12.2009 | SHEET: 3 OF 34 |



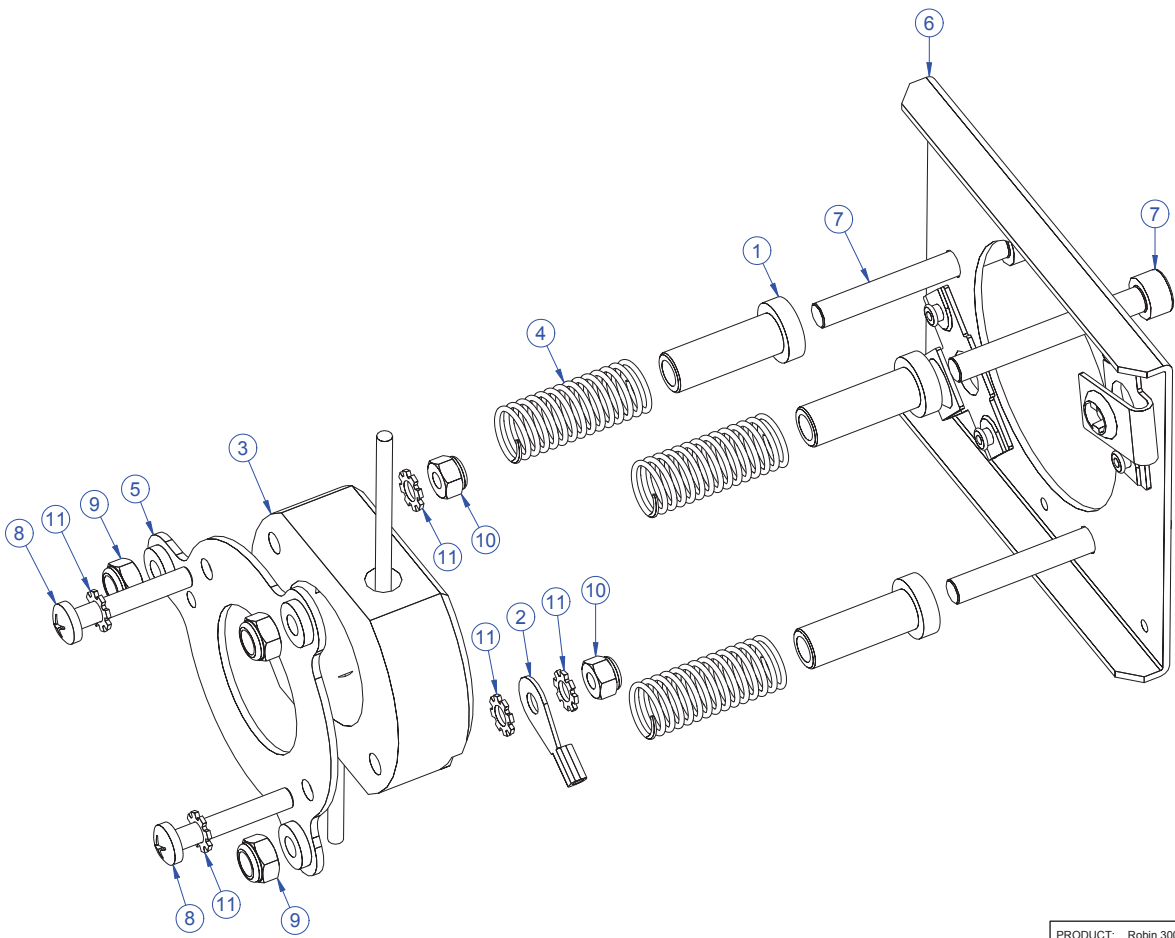
|                          |                 |                |
|--------------------------|-----------------|----------------|
| PRODUCT: Robin 300E Spot |                 |                |
| TITLE: Assembly of head  |                 |                |
| DOCUMENT: 99012535       |                 |                |
| VERSION: A               | DATE: 1.12.2009 | SHEET: 4 OF 34 |



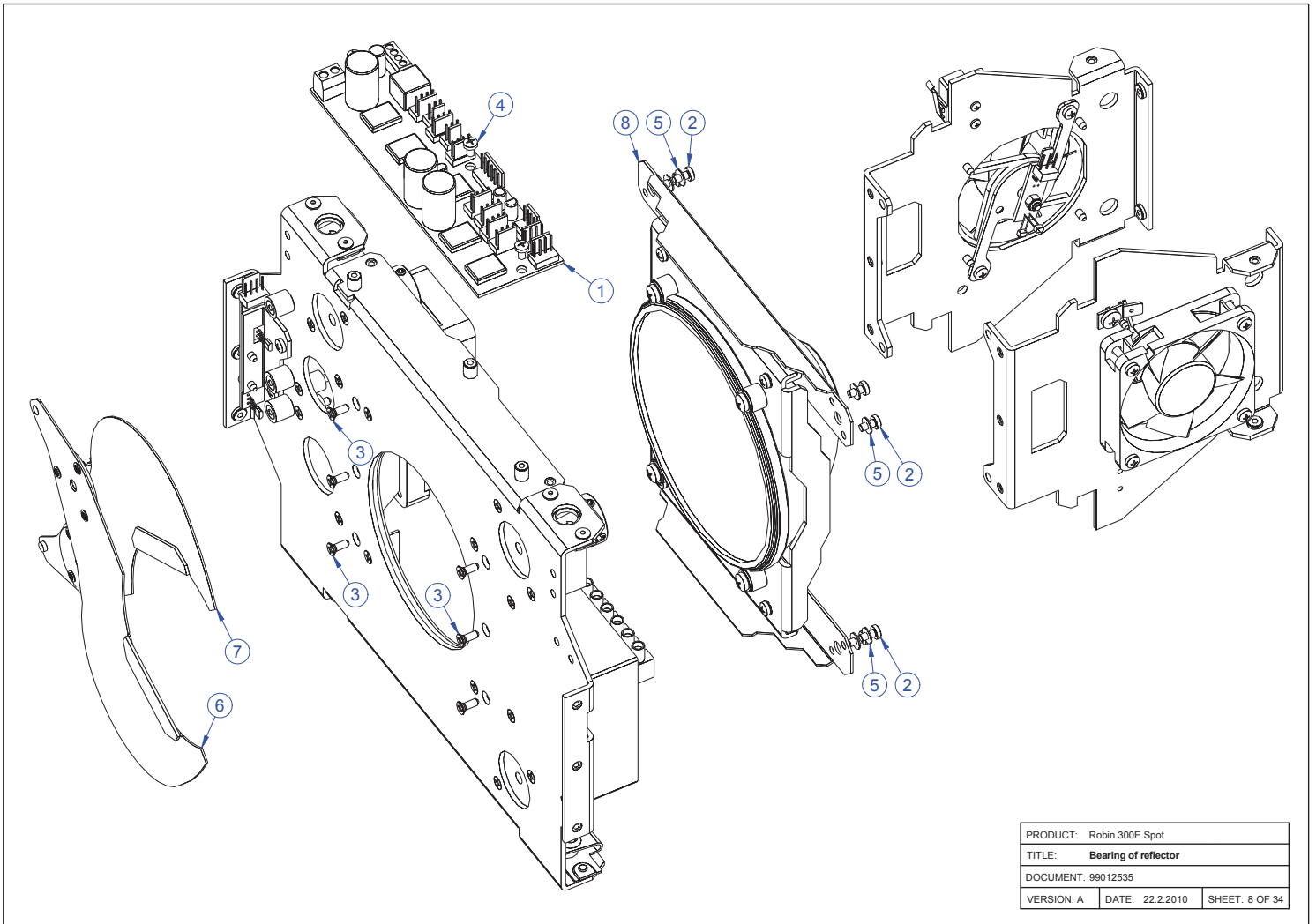
|                                           |                 |                |
|-------------------------------------------|-----------------|----------------|
| PRODUCT: Robin 300E Spot                  |                 |                |
| TITLE: <b>Module of cooling - offtake</b> |                 |                |
| DOCUMENT: 99012486                        |                 |                |
| VERSION: A                                | DATE: 1.12.2009 | SHEET: 5 OF 34 |



|                                  |                 |                |
|----------------------------------|-----------------|----------------|
| PRODUCT: Robin 300E Spot         |                 |                |
| TITLE: Holder of source of light |                 |                |
| DOCUMENT: 99012535               |                 |                |
| VERSION: A                       | DATE: 1.12.2009 | SHEET: 6 OF 34 |

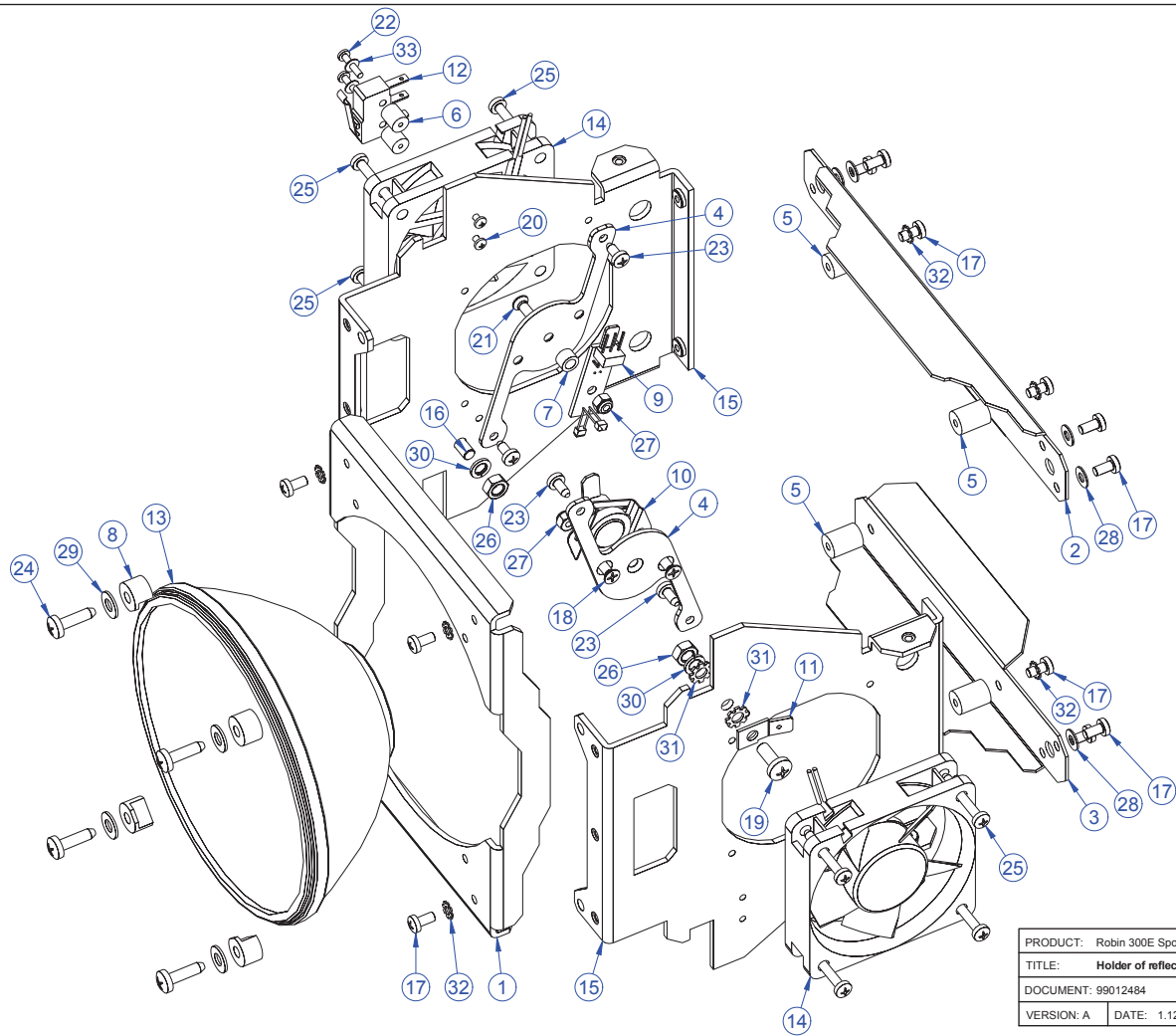


|                                   |                 |                |
|-----------------------------------|-----------------|----------------|
| PRODUCT: Robin 300E Spot          |                 |                |
| TITLE: Source of light - exploded |                 |                |
| DOCUMENT: 99012492                |                 |                |
| VERSION: A                        | DATE: 1.12.2009 | SHEET: 7 OF 34 |

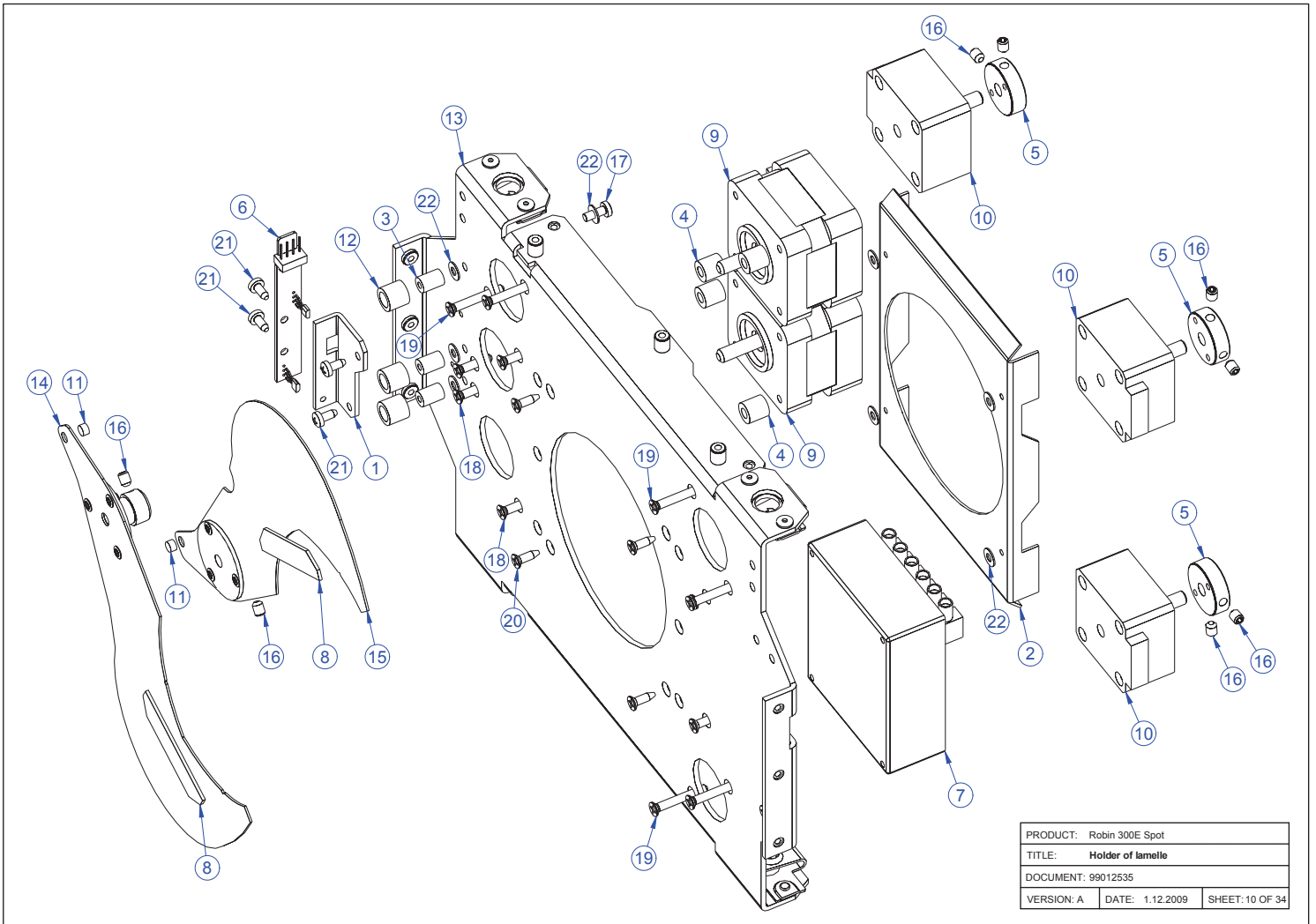


|                             |                 |                |
|-----------------------------|-----------------|----------------|
| PRODUCT: Robin 300E Spot    |                 |                |
| TITLE: Bearing of reflector |                 |                |
| DOCUMENT: 99012535          |                 |                |
| VERSION: A                  | DATE: 22.2.2010 | SHEET: 8 OF 34 |

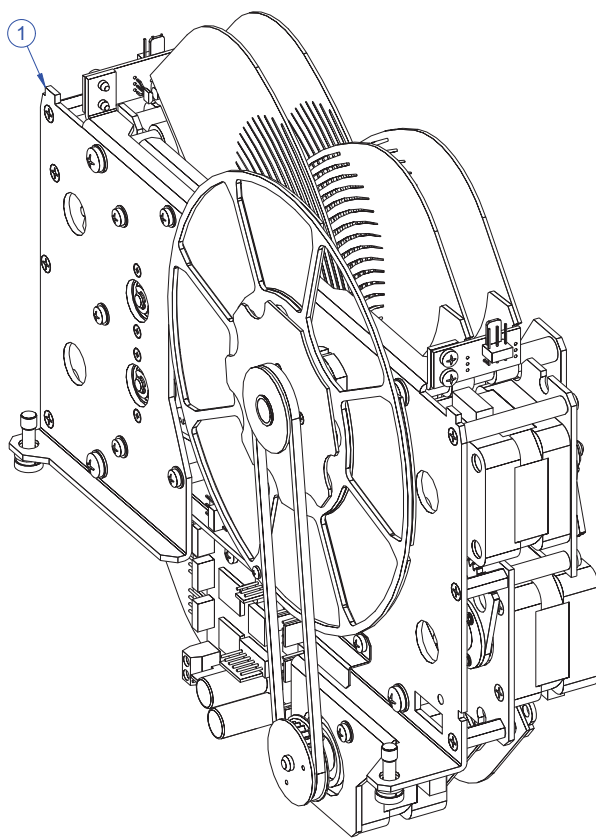




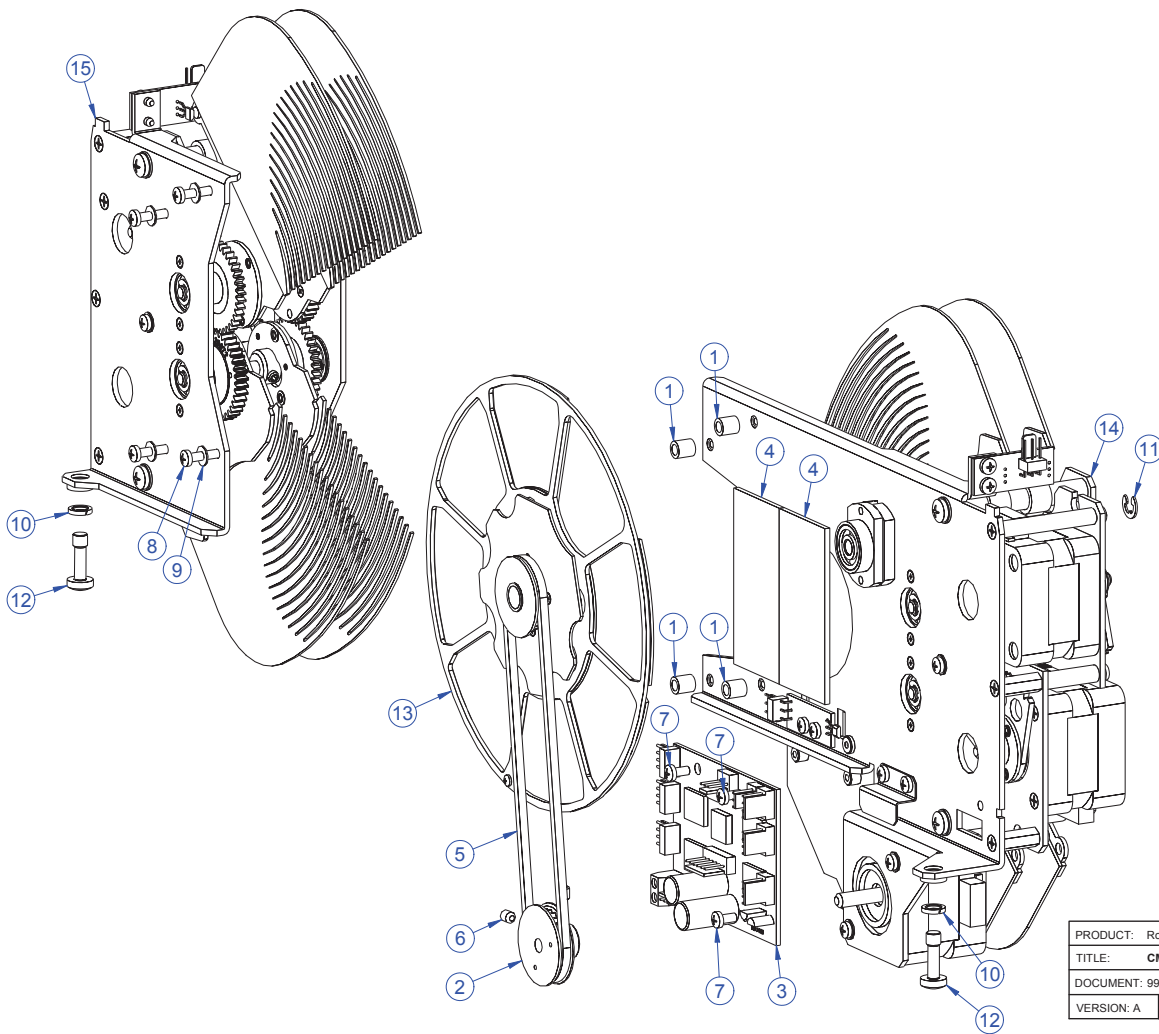
|                                       |                 |                |
|---------------------------------------|-----------------|----------------|
| PRODUCT: Robin 300E Spot              |                 |                |
| TITLE: Holder of reflector - exploded |                 |                |
| DOCUMENT: 99012484                    |                 |                |
| VERSION: A                            | DATE: 1.12.2009 | SHEET: 9 OF 34 |



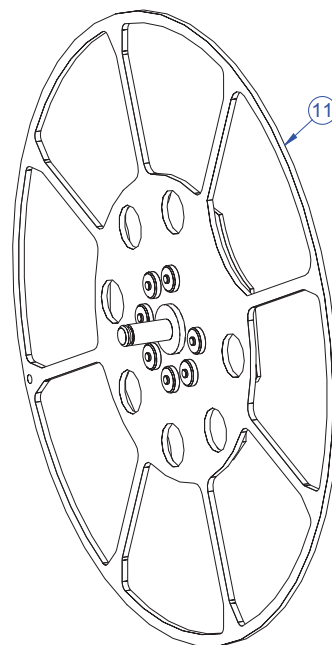
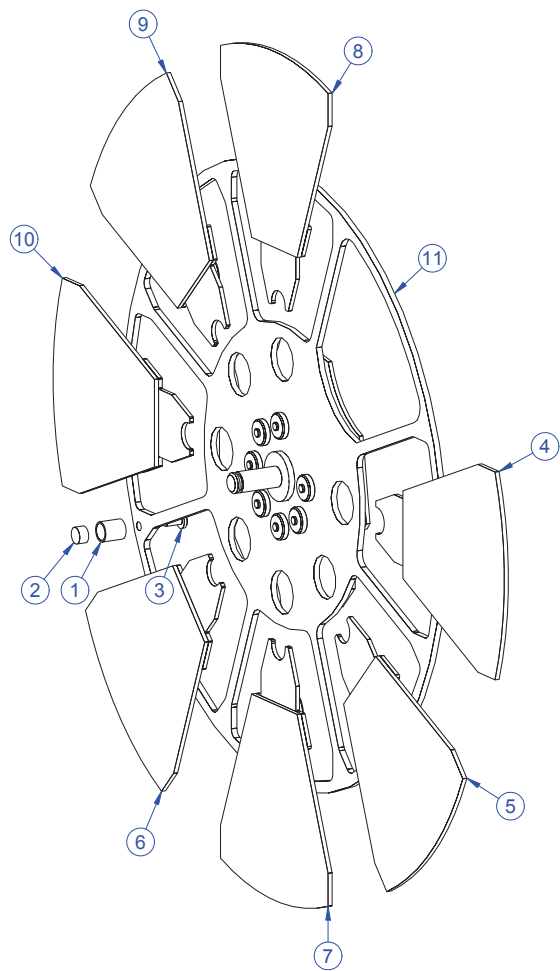
|                          |                 |                 |
|--------------------------|-----------------|-----------------|
| PRODUCT: Robin 300E Spot |                 |                 |
| TITLE: Holder of lamelle |                 |                 |
| DOCUMENT: 99012535       |                 |                 |
| VERSION: A               | DATE: 1.12.2009 | SHEET: 10 OF 34 |



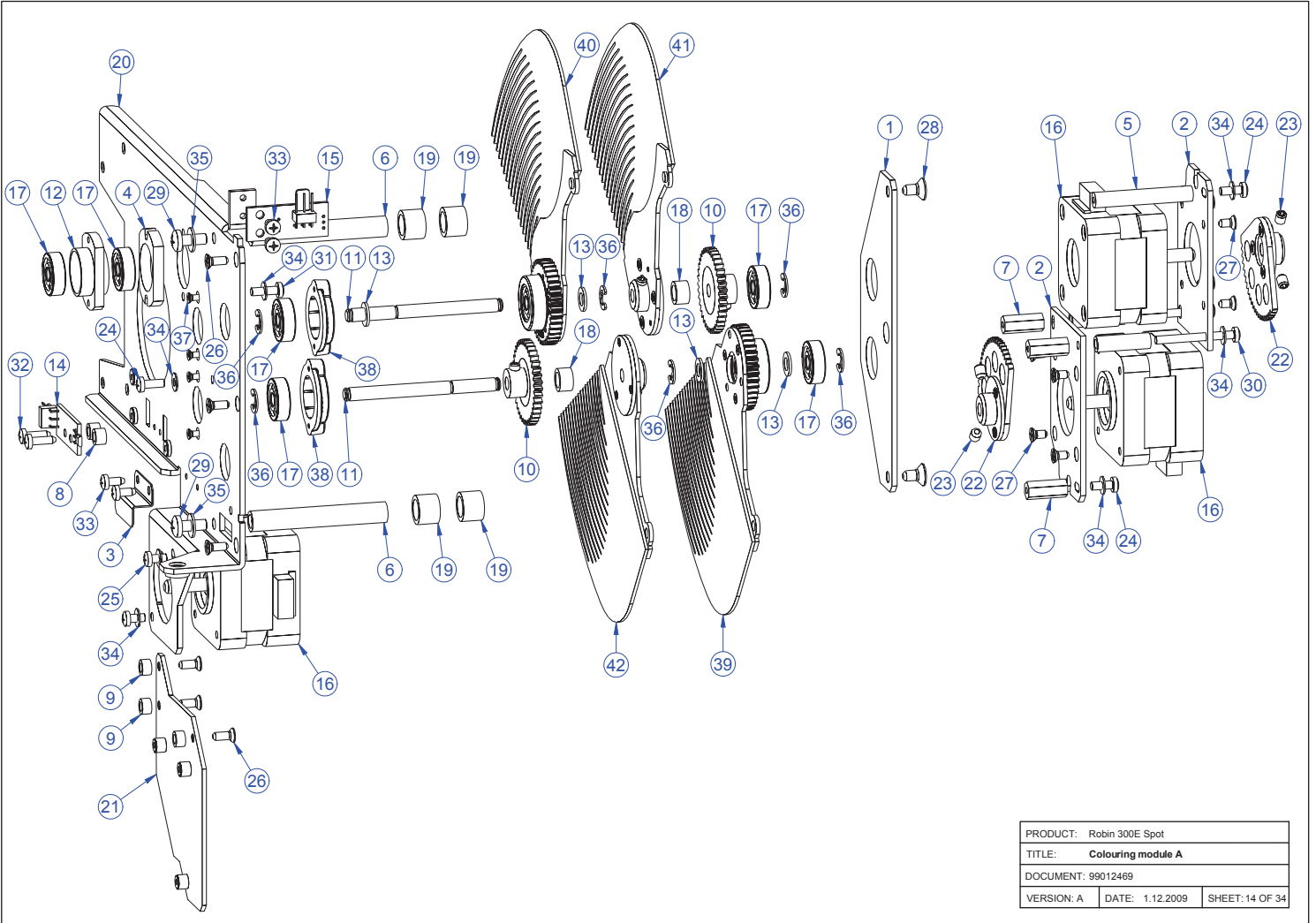
|                                            |                 |                 |
|--------------------------------------------|-----------------|-----------------|
| PRODUCT: Robin 300E Spot                   |                 |                 |
| TITLE: <b>CMY mixing system - assembly</b> |                 |                 |
| DOCUMENT: 99012535                         |                 |                 |
| VERSION: A                                 | DATE: 1.12.2009 | SHEET: 11 OF 34 |



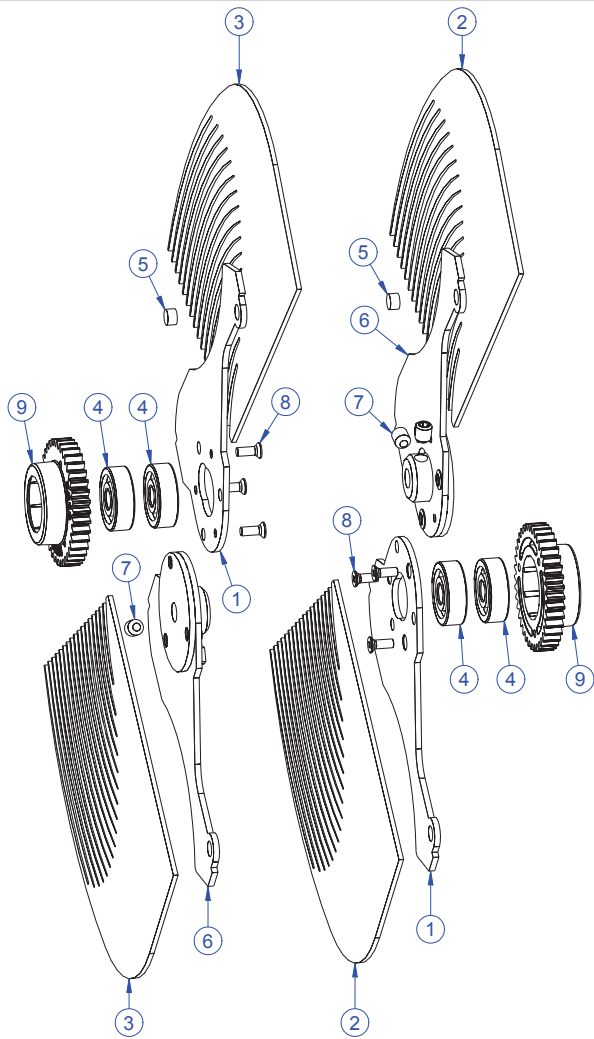
|                                     |                 |                 |
|-------------------------------------|-----------------|-----------------|
| PRODUCT: Robin 300E Spot            |                 |                 |
| TITLE: CMY mixing system - exploded |                 |                 |
| DOCUMENT: 99012469                  |                 |                 |
| VERSION: A                          | DATE: 22.2.2010 | SHEET: 12 OF 34 |



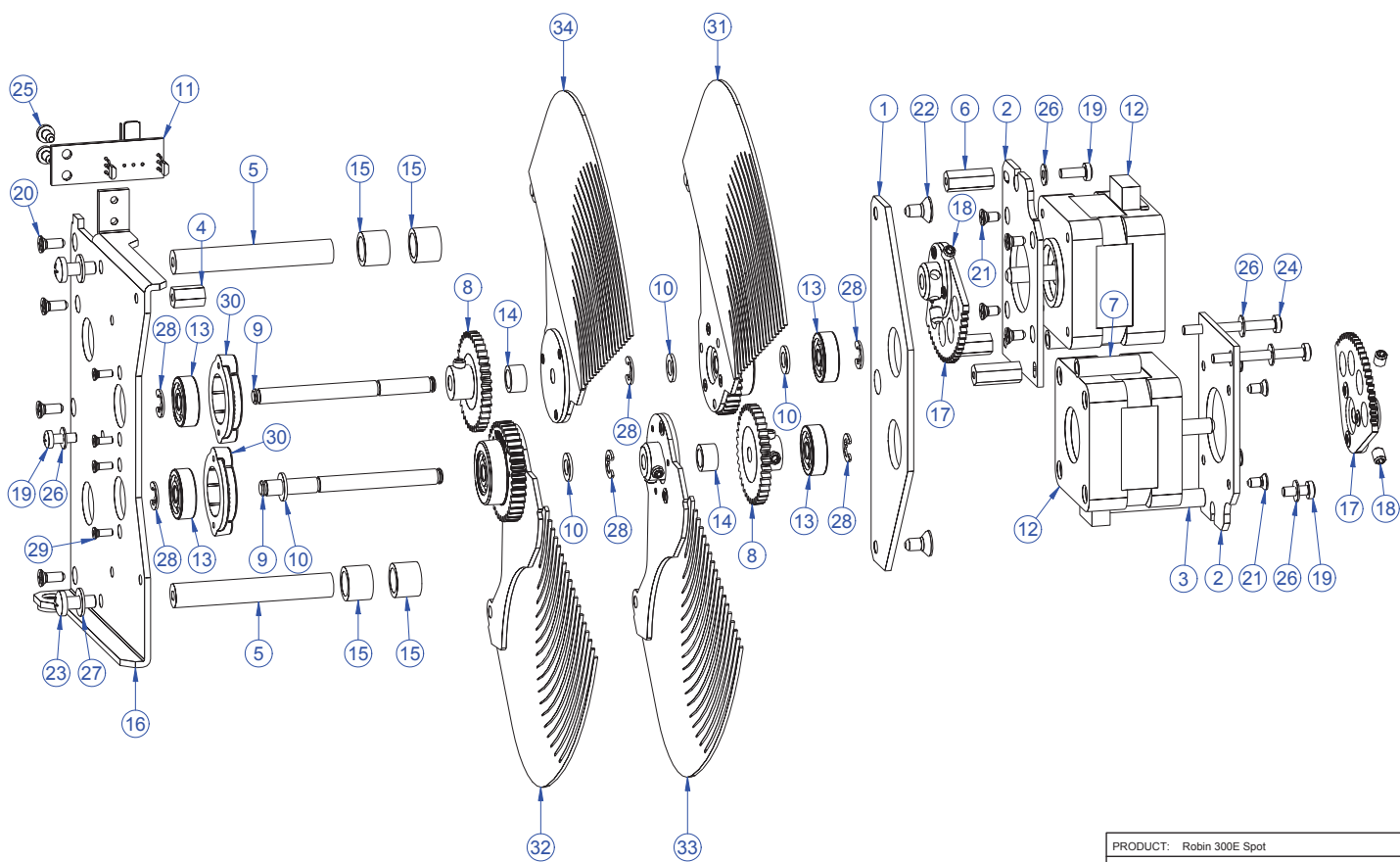
|                                  |                 |                 |
|----------------------------------|-----------------|-----------------|
| PRODUCT: Robin 300E Spot         |                 |                 |
| TITLE: Wheel Color 7+1 assembled |                 |                 |
| DOCUMENT: 99012470               |                 |                 |
| VERSION: A                       | DATE: 1.12.2009 | SHEET: 13 OF 34 |



|                           |                 |                 |
|---------------------------|-----------------|-----------------|
| PRODUCT: Robin 300E Spot  |                 |                 |
| TITLE: Colouring module A |                 |                 |
| DOCUMENT: 99012469        |                 |                 |
| VERSION: A                | DATE: 1.12.2009 | SHEET: 14 OF 34 |

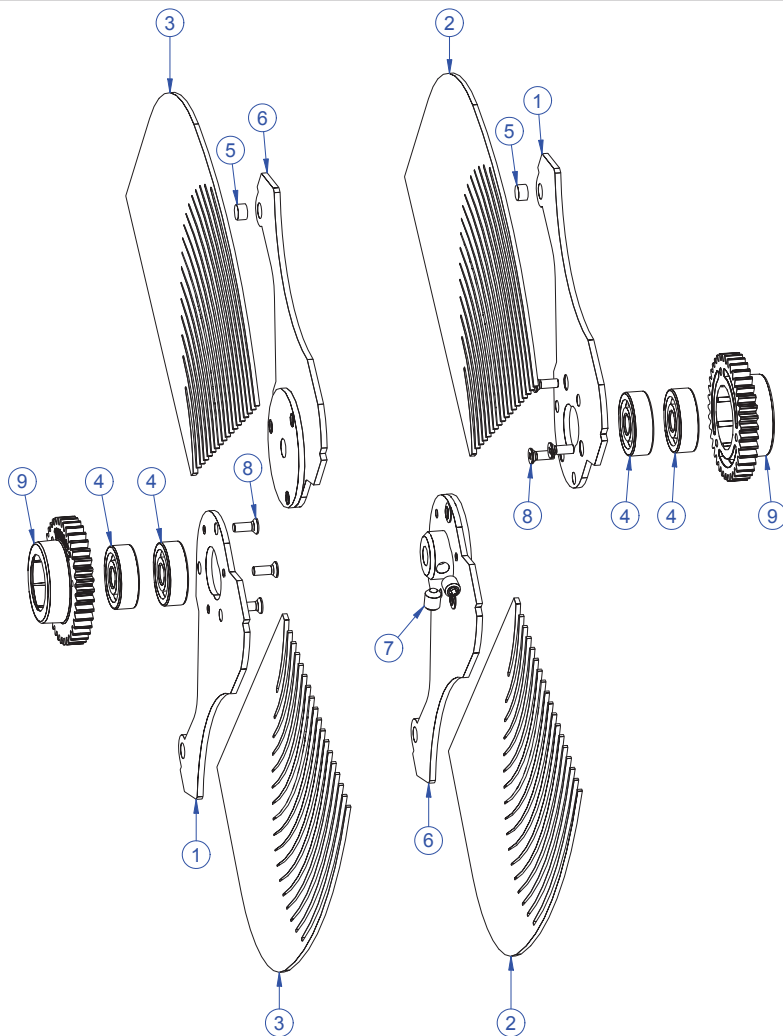


|                            |                 |                 |
|----------------------------|-----------------|-----------------|
| PRODUCT: Robin 300E Spot   |                 |                 |
| TITLE: Lamelle colouring A |                 |                 |
| DOCUMENT: 99012469         |                 |                 |
| VERSION: A                 | DATE: 1.12.2009 | SHEET: 15 OF 34 |

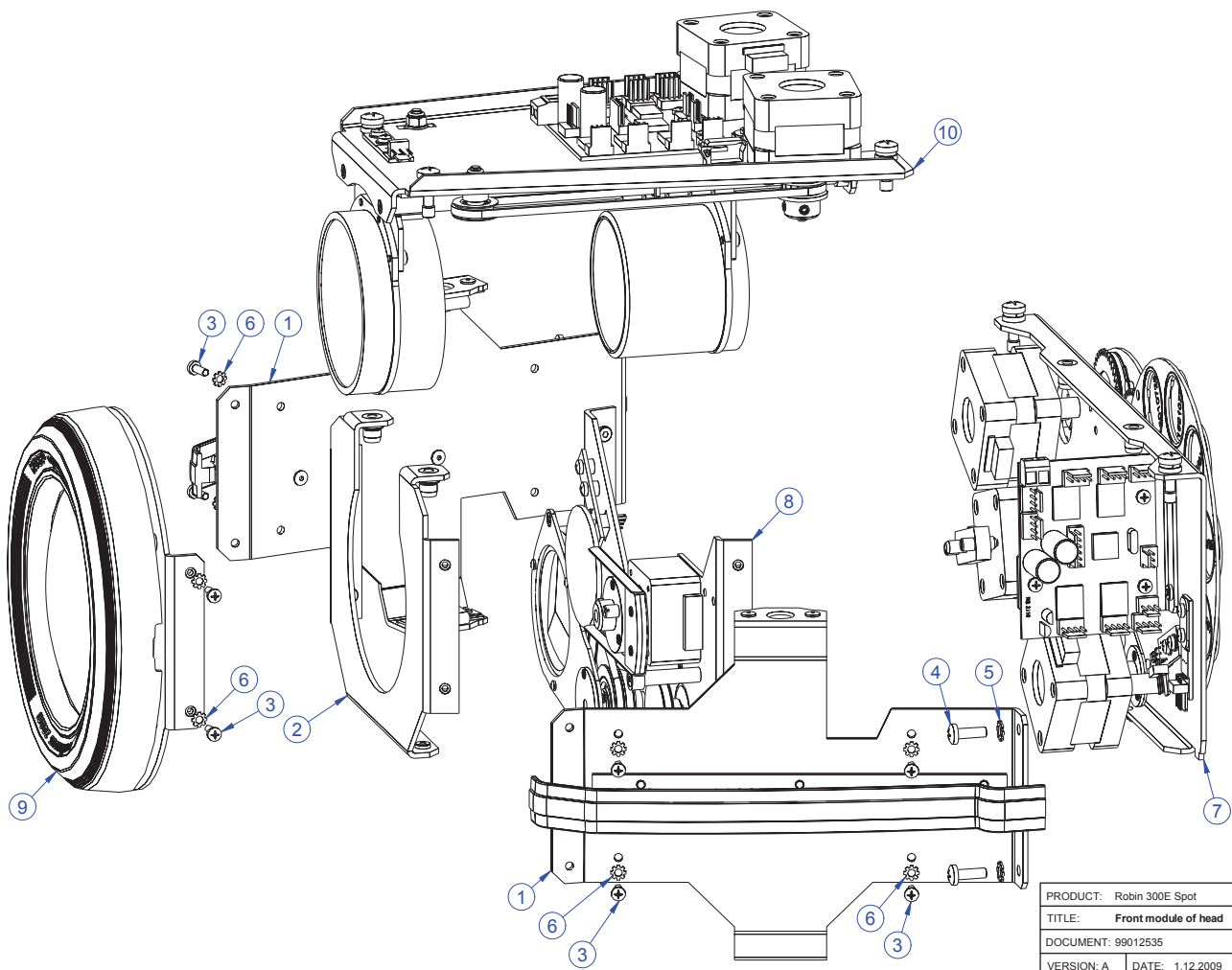


|                           |                 |                 |
|---------------------------|-----------------|-----------------|
| PRODUCT: Robin 300E Spot  |                 |                 |
| TITLE: Colouring module B |                 |                 |
| DOCUMENT: 99012469        |                 |                 |
| VERSION: A                | DATE: 1.12.2009 | SHEET: 16 OF 34 |

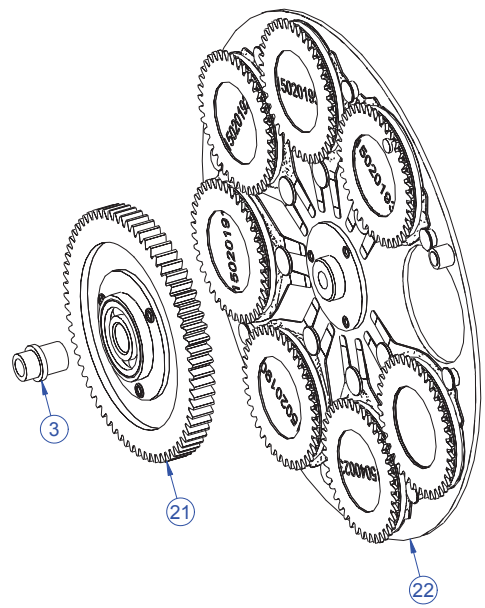
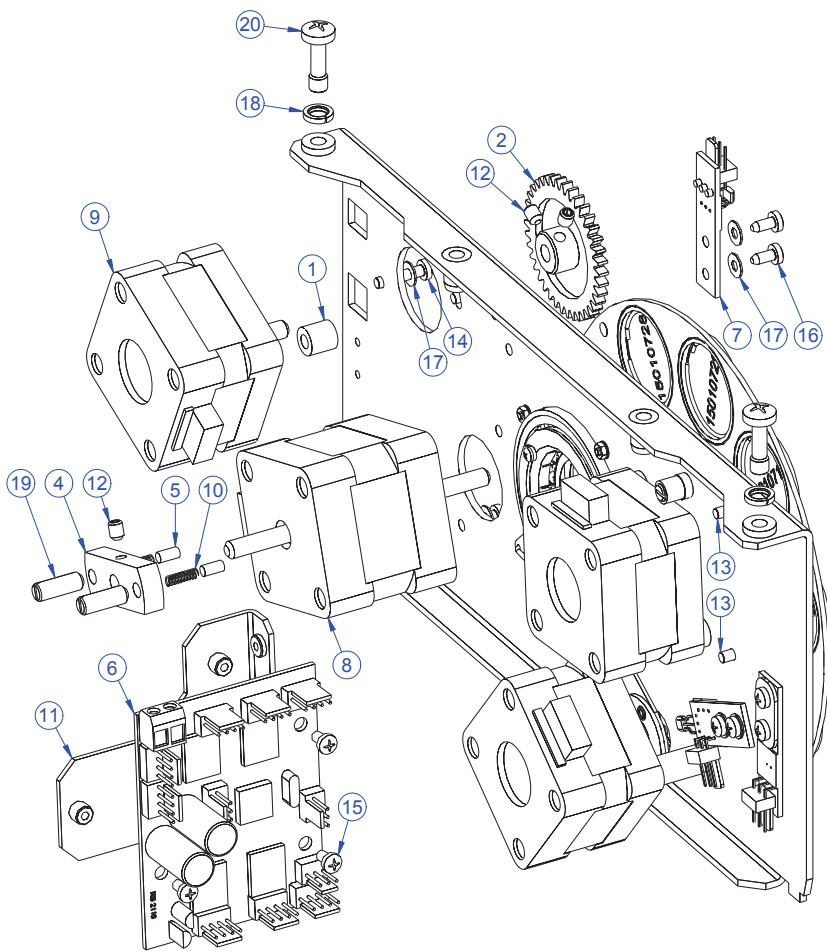




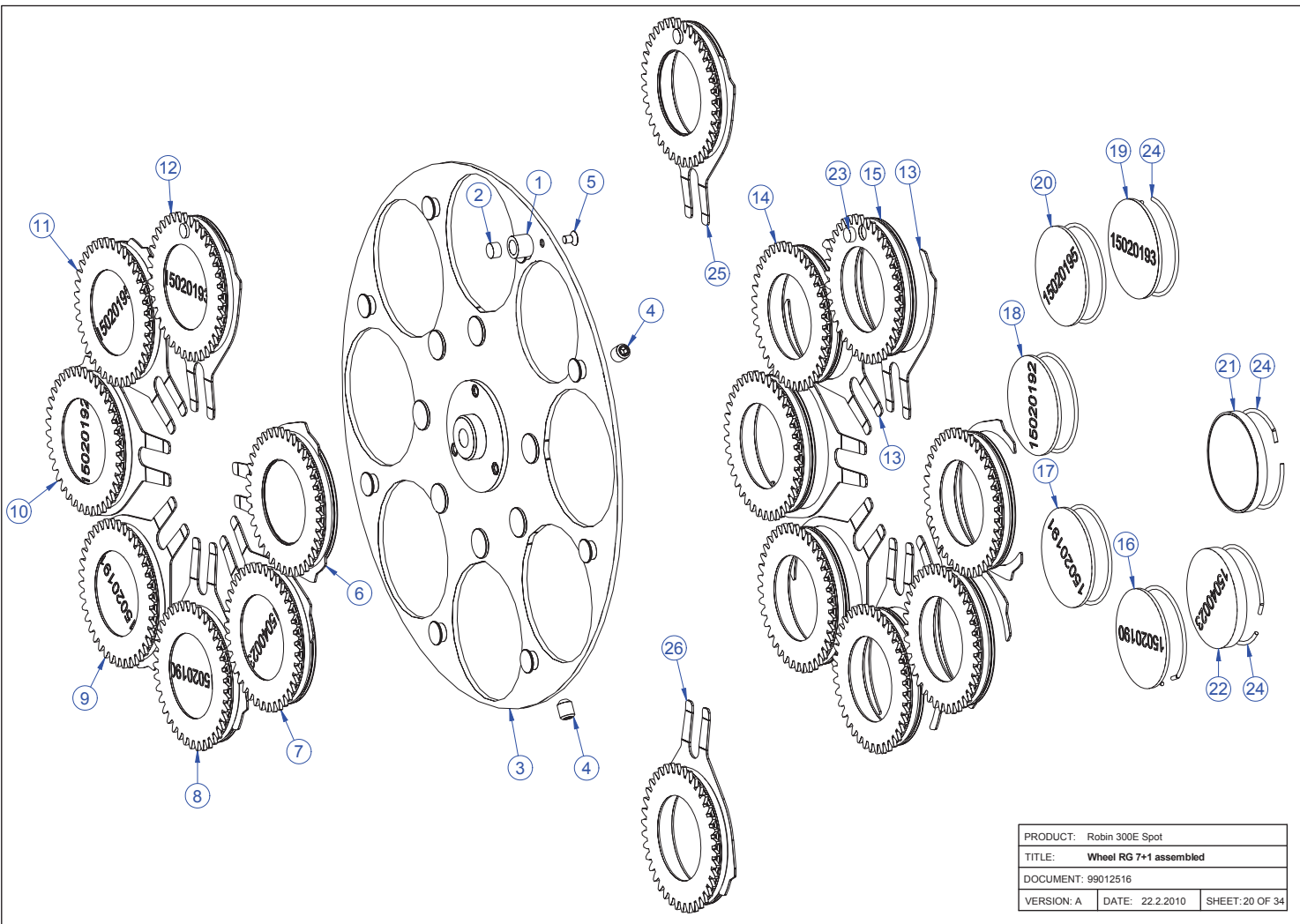
|                            |                 |                 |
|----------------------------|-----------------|-----------------|
| PRODUCT: Robin 300E Spot   |                 |                 |
| TITLE: Lamelle colouring B |                 |                 |
| DOCUMENT: 99012469         |                 |                 |
| VERSION: A                 | DATE: 1.12.2009 | SHEET: 17 OF 34 |



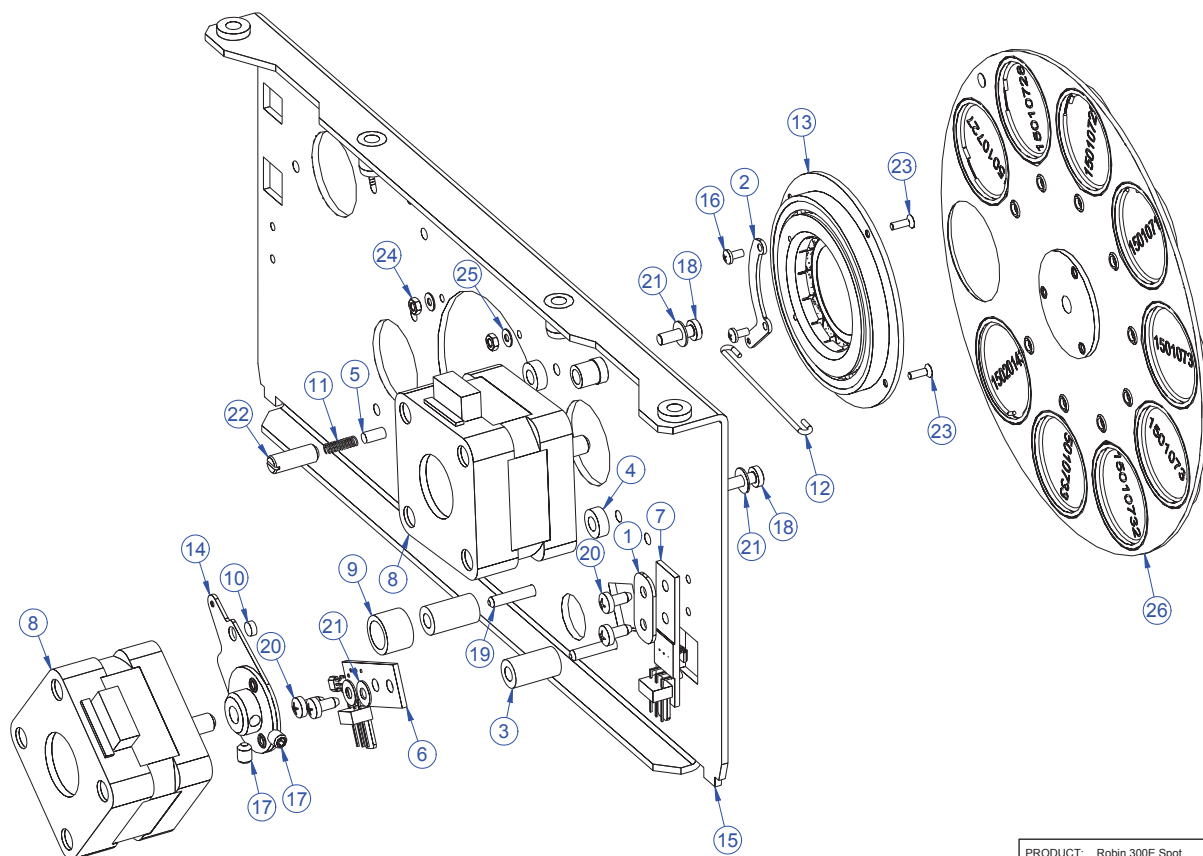
|                             |                 |                 |
|-----------------------------|-----------------|-----------------|
| PRODUCT: Robin 300E Spot    |                 |                 |
| TITLE: Front module of head |                 |                 |
| DOCUMENT: 99012535          |                 |                 |
| VERSION: A                  | DATE: 1.12.2009 | SHEET: 18 OF 34 |



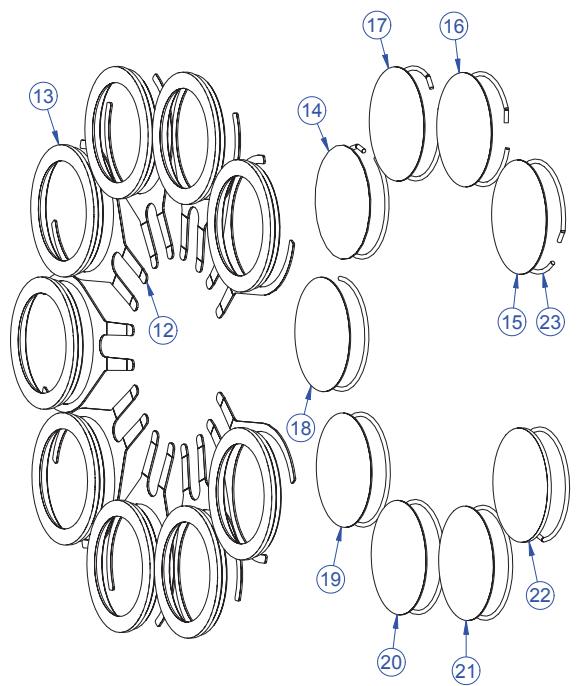
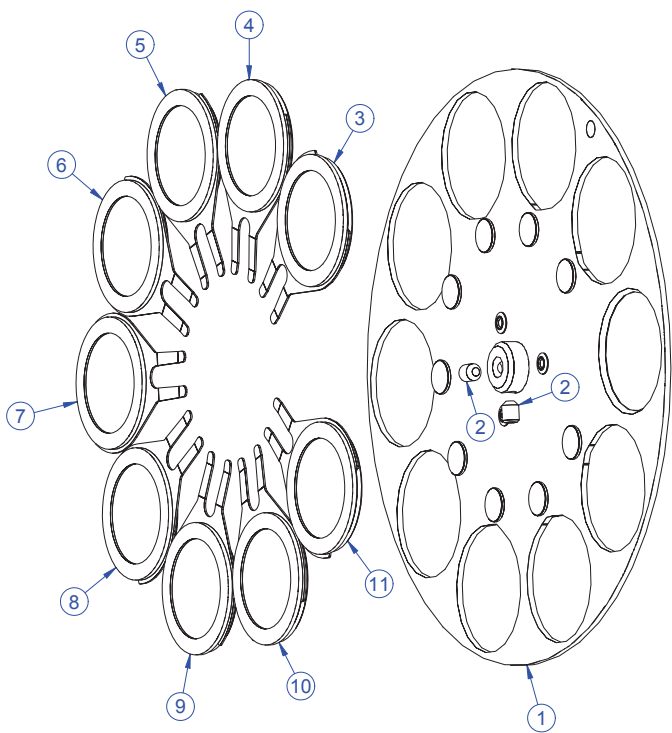
|                             |                 |                 |
|-----------------------------|-----------------|-----------------|
| PRODUCT: Robin 300E Spot    |                 |                 |
| TITLE: Module Iris - part 1 |                 |                 |
| DOCUMENT: 99012520          |                 |                 |
| VERSION: A                  | DATE: 22.2.2010 | SHEET: 19 OF 34 |



|                               |                 |                 |
|-------------------------------|-----------------|-----------------|
| PRODUCT: Robin 300E Spot      |                 |                 |
| TITLE: Wheel RG 7+1 assembled |                 |                 |
| DOCUMENT: 99012516            |                 |                 |
| VERSION: A                    | DATE: 22.2.2010 | SHEET: 20 OF 34 |

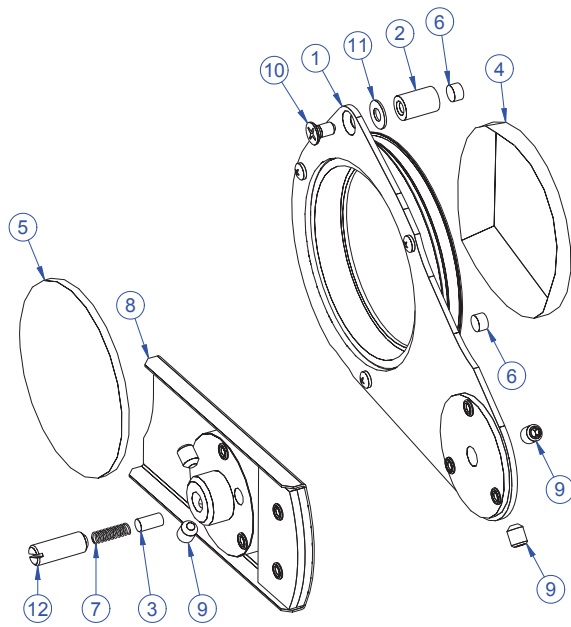


|                                    |                 |                 |
|------------------------------------|-----------------|-----------------|
| PRODUCT: Robin 300E Spot           |                 |                 |
| TITLE: <b>Module Iris - part 2</b> |                 |                 |
| DOCUMENT: 99012520                 |                 |                 |
| VERSION: A                         | DATE: 1.12.2009 | SHEET: 21 OF 34 |



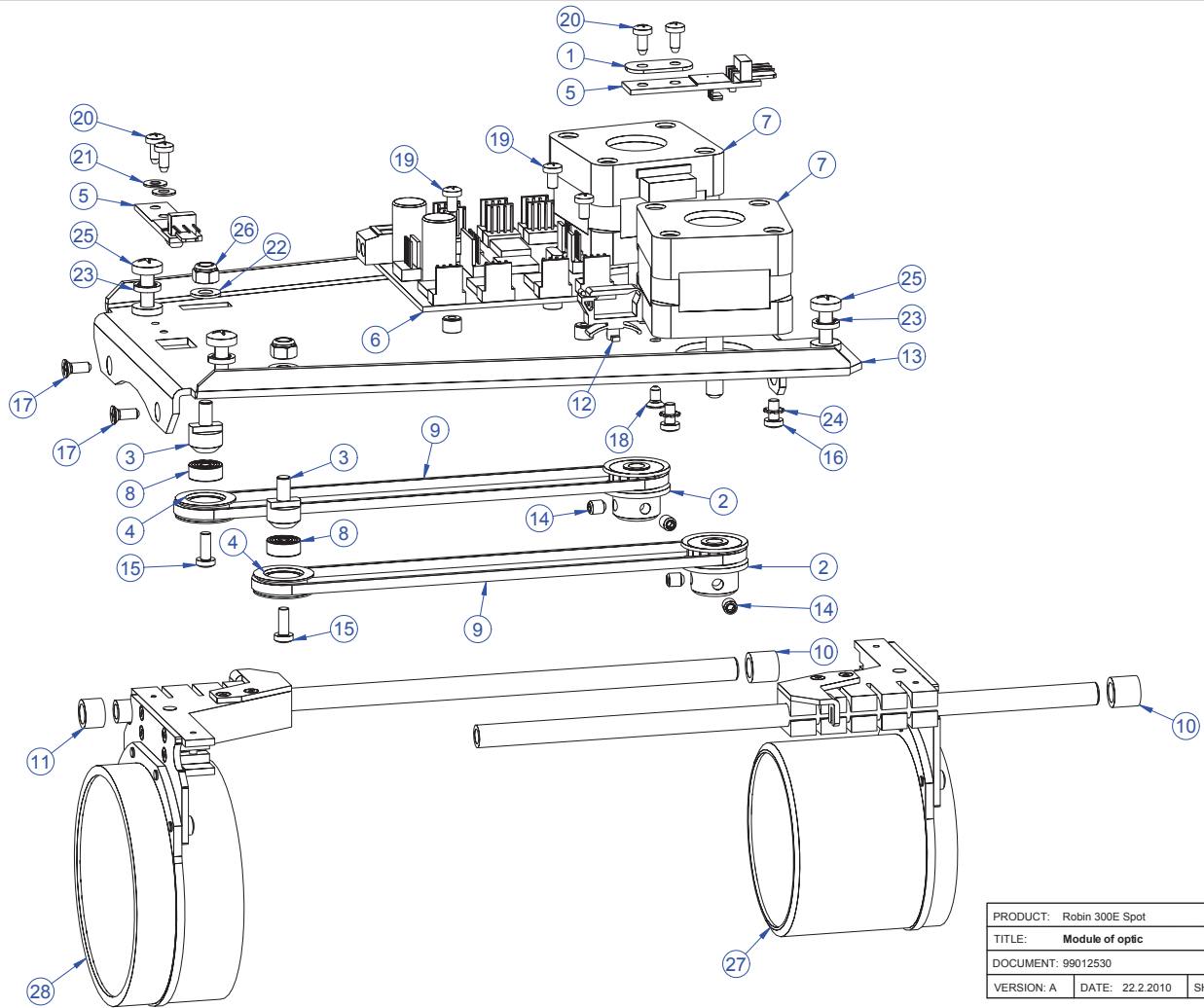
|                                    |                 |                 |
|------------------------------------|-----------------|-----------------|
| PRODUCT: Robin 300E Spot           |                 |                 |
| TITLE: Wheel Gobo FG 9+1 assembled |                 |                 |
| DOCUMENT: 99012508                 |                 |                 |
| VERSION: A                         | DATE: 1.12.2009 | SHEET: 22 OF 34 |



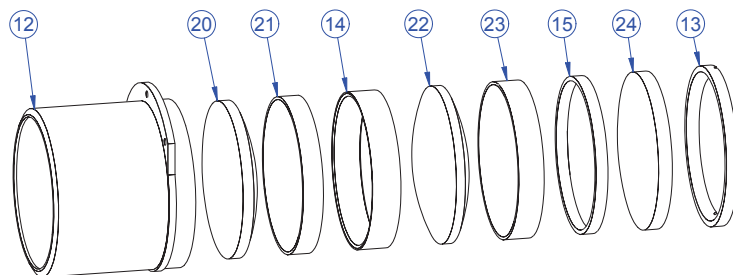
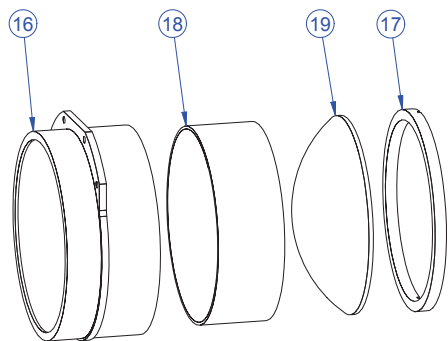
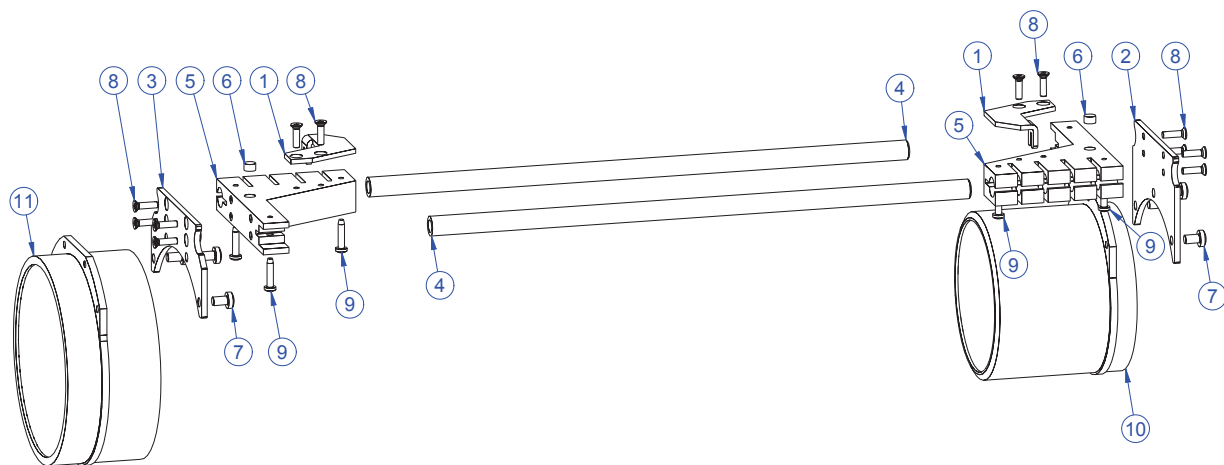


|                                           |                 |                 |
|-------------------------------------------|-----------------|-----------------|
| PRODUCT: Robin 300E Spot                  |                 |                 |
| TITLE: Prism and lamelle Frost - exploded |                 |                 |
| DOCUMENT: 99012523                        |                 |                 |
| VERSION: A                                | DATE: 1.12.2009 | SHEET: 24 OF 34 |

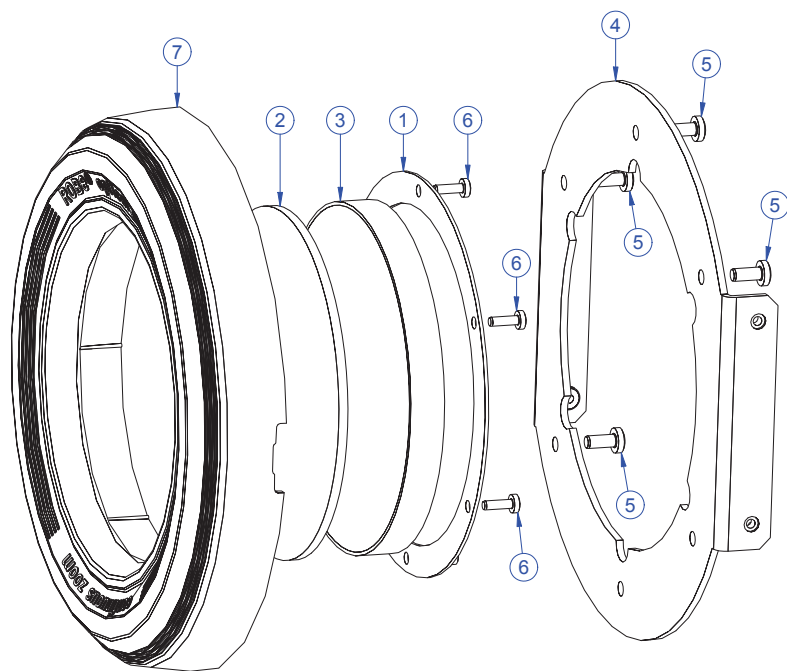




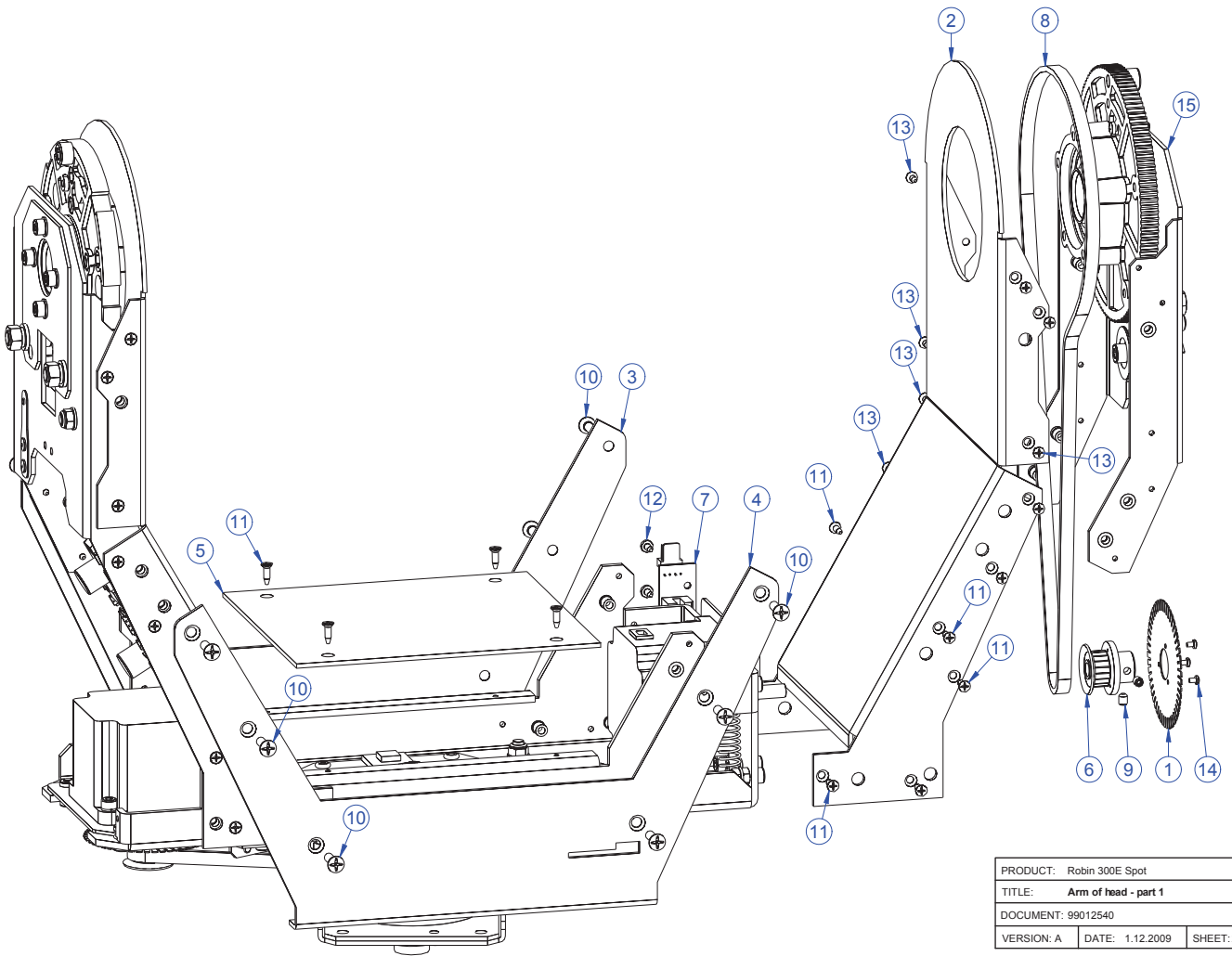
|                               |                 |                 |
|-------------------------------|-----------------|-----------------|
| PRODUCT: Robin 300E Spot      |                 |                 |
| TITLE: <b>Module of optic</b> |                 |                 |
| DOCUMENT: 99012530            |                 |                 |
| VERSION: A                    | DATE: 22.2.2010 | SHEET: 25 OF 34 |



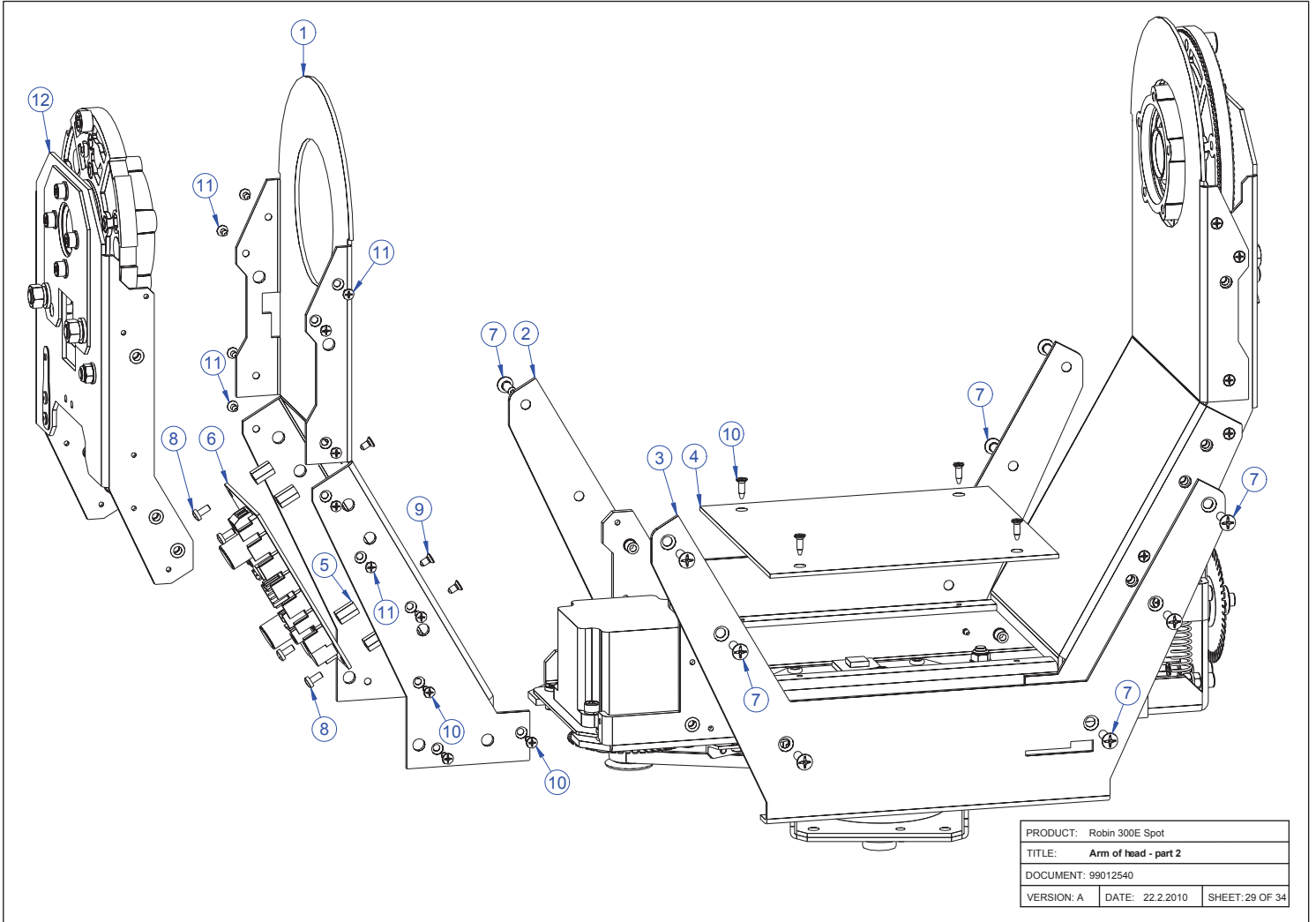
|                                 |                 |                 |
|---------------------------------|-----------------|-----------------|
| PRODUCT: Robin 300E Spot        |                 |                 |
| TITLE: Holder of Focus and Zoom |                 |                 |
| DOCUMENT: 99012535              |                 |                 |
| VERSION: A                      | DATE: 1.12.2009 | SHEET: 26 OF 34 |



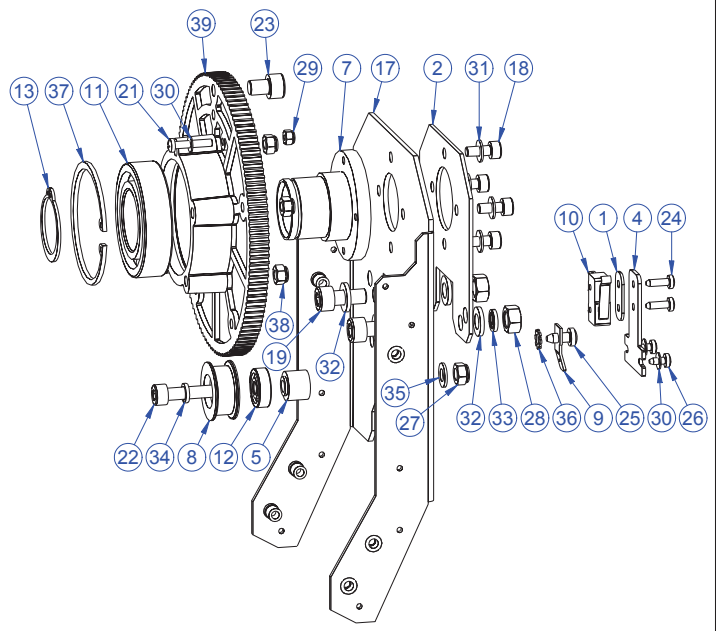
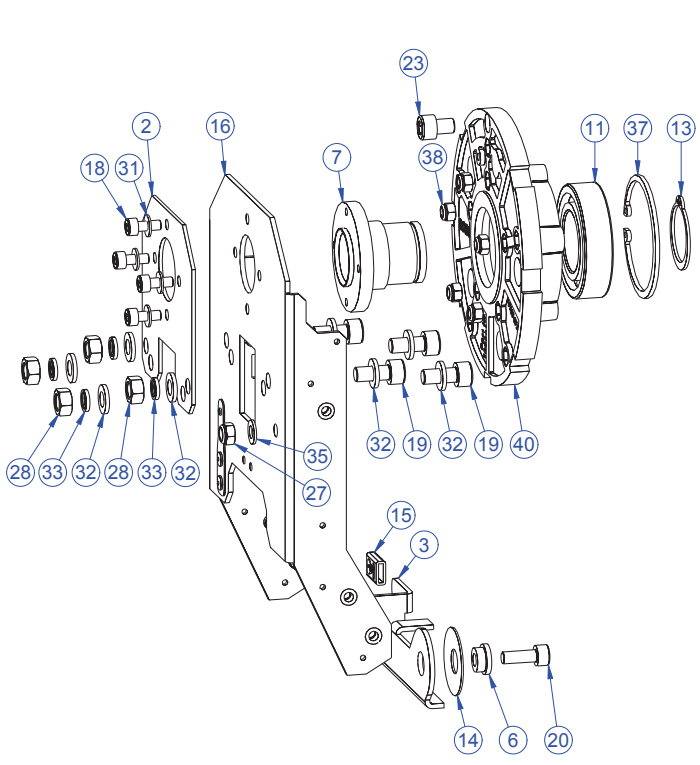
|                            |                 |                 |
|----------------------------|-----------------|-----------------|
| PRODUCT: Robin 300E Spot   |                 |                 |
| TITLE: Holder of objective |                 |                 |
| DOCUMENT: 99012524         |                 |                 |
| VERSION: A                 | DATE: 1.12.2009 | SHEET: 27 OF 34 |



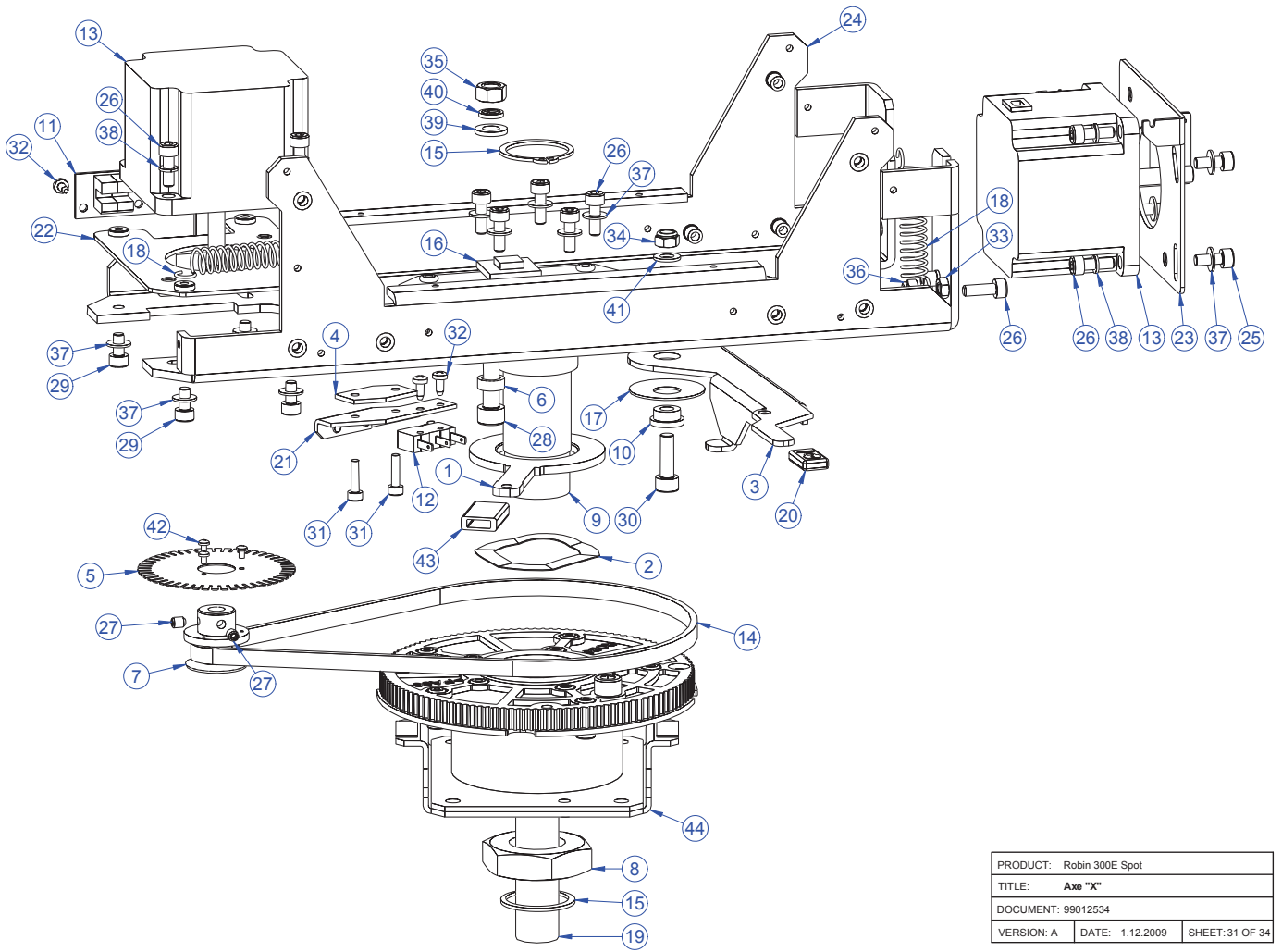
|                             |                 |                 |
|-----------------------------|-----------------|-----------------|
| PRODUCT: Robin 300E Spot    |                 |                 |
| TITLE: Arm of head - part 1 |                 |                 |
| DOCUMENT: 99012540          |                 |                 |
| VERSION: A                  | DATE: 1.12.2009 | SHEET: 28 OF 34 |



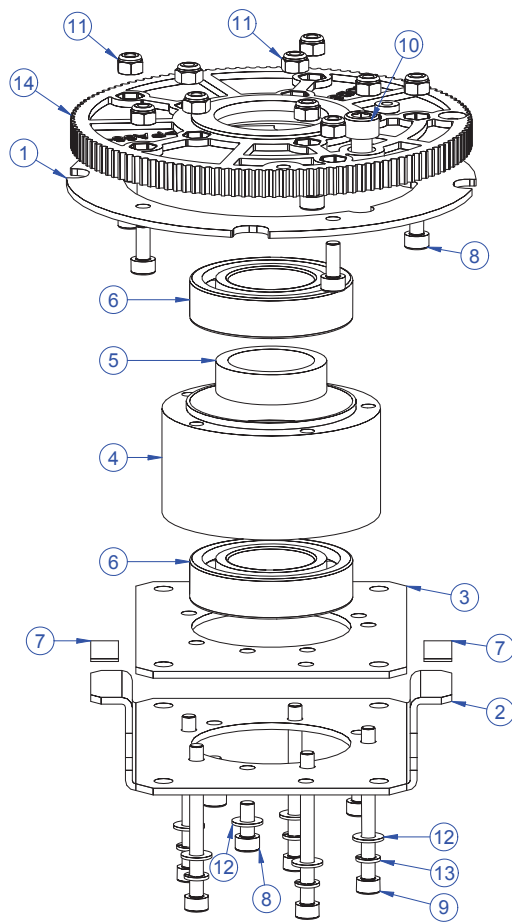
|                             |                 |                 |
|-----------------------------|-----------------|-----------------|
| PRODUCT: Robin 300E Spot    |                 |                 |
| TITLE: Arm of head - part 2 |                 |                 |
| DOCUMENT: 99012540          |                 |                 |
| VERSION: A                  | DATE: 22.2.2010 | SHEET: 29 OF 34 |



|                          |                 |                 |
|--------------------------|-----------------|-----------------|
| PRODUCT: Robin 300E Spot |                 |                 |
| TITLE: Arm of axe "Y"    |                 |                 |
| DOCUMENT: 99012504       |                 |                 |
| VERSION: A               | DATE: 1.12.2009 | SHEET: 30 OF 34 |

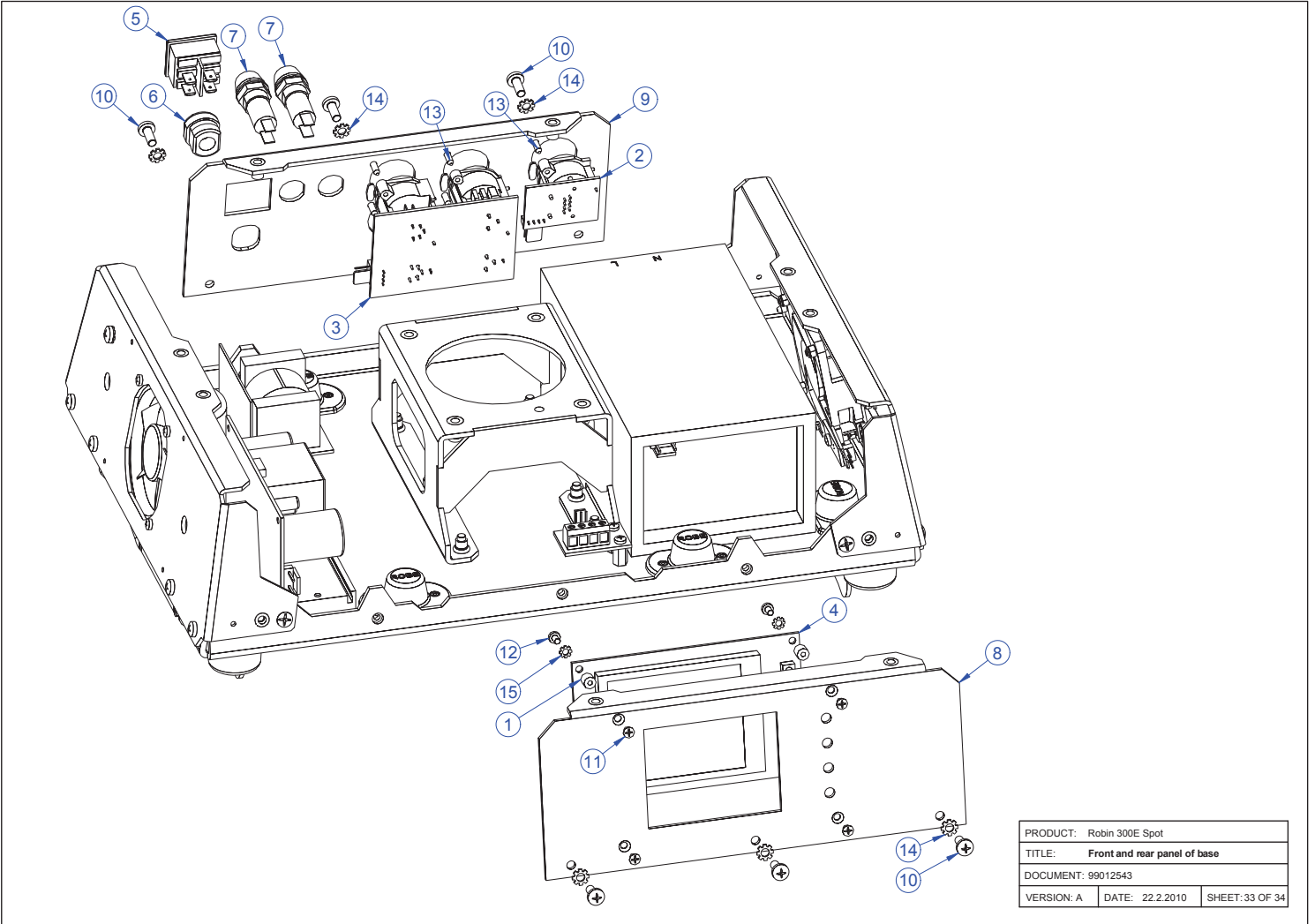


|                          |                 |                 |
|--------------------------|-----------------|-----------------|
| PRODUCT: Robin 300E Spot |                 |                 |
| TITLE: Axe "X"           |                 |                 |
| DOCUMENT: 99012534       |                 |                 |
| VERSION: A               | DATE: 1.12.2009 | SHEET: 31 OF 34 |

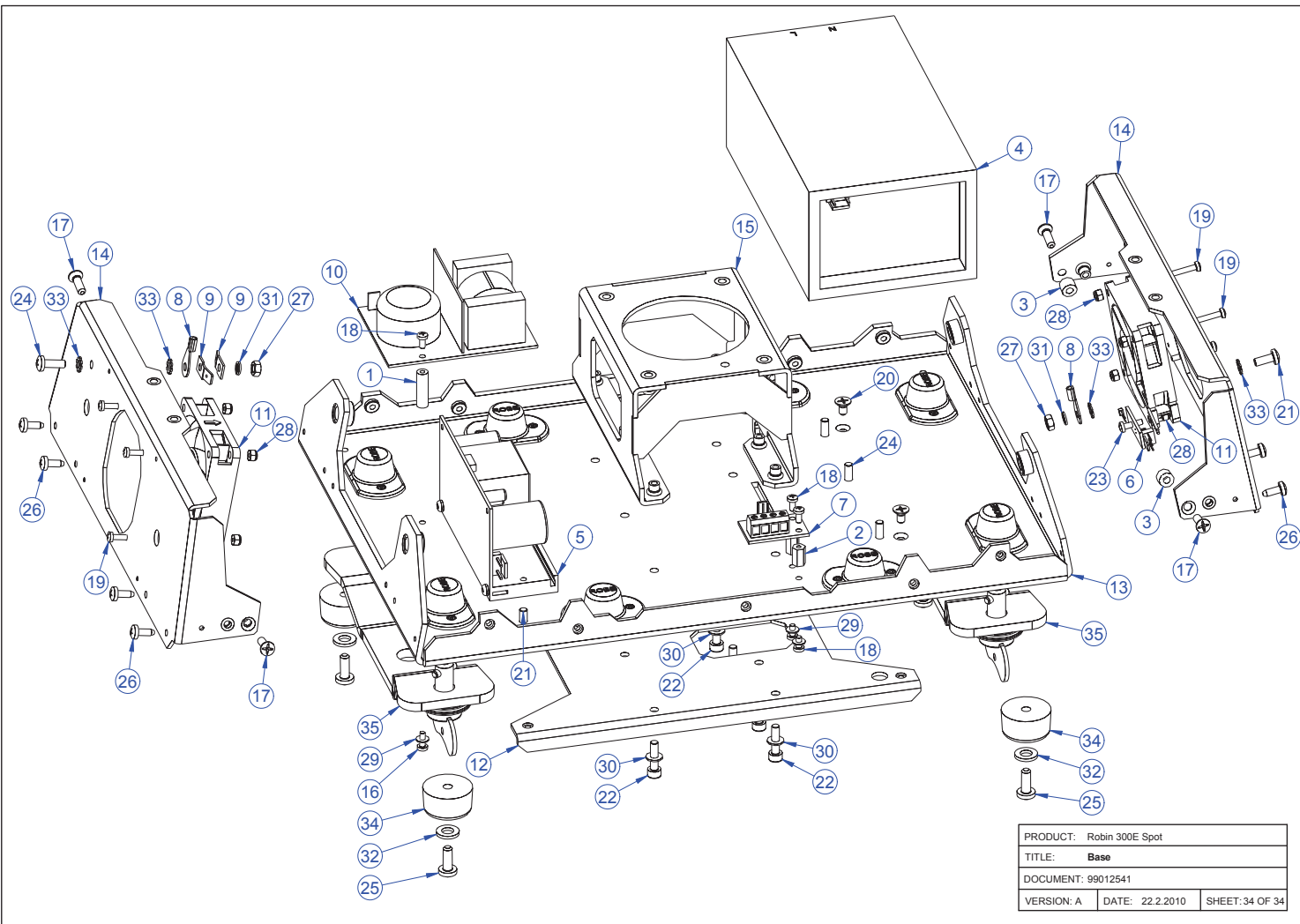


|                             |                 |                 |
|-----------------------------|-----------------|-----------------|
| PRODUCT: Robin 300E Spot    |                 |                 |
| TITLE: Holder of toothwheel |                 |                 |
| DOCUMENT: 99012534          |                 |                 |
| VERSION: A                  | DATE: 26.3.2013 | SHEET: 32 OF 34 |





|                                     |                 |                 |
|-------------------------------------|-----------------|-----------------|
| PRODUCT: Robin 300E Spot            |                 |                 |
| TITLE: Front and rear panel of base |                 |                 |
| DOCUMENT: 99012543                  |                 |                 |
| VERSION: A                          | DATE: 22.2.2010 | SHEET: 33 OF 34 |



|                          |                 |                 |
|--------------------------|-----------------|-----------------|
| PRODUCT: Robin 300E Spot |                 |                 |
| TITLE: Base              |                 |                 |
| DOCUMENT: 99012541       |                 |                 |
| VERSION: A               | DATE: 22.2.2010 | SHEET: 34 OF 34 |